

**Modular Cooking Range Line  
EVO700 Open Base Cupboard  
1/2 Module**

ITEM # \_\_\_\_\_

MODEL # \_\_\_\_\_

NAME # \_\_\_\_\_

SIS # \_\_\_\_\_

AIA # \_\_\_\_\_

**Main Features**

- Unit can be easily installed below other 700 line top models.
- Unit delivered with 50 mm height adjustable feet in Stainless steel.
- Open base compartment for storage of pots, pans, sheet pans, etc.
- Doors with handles, drawers, heating kits and runners for GN containers can be ordered separately.

**Construction**

- Constructed in Stainless steel with Scotch Brite finish to meet the highest hygiene standards.

371112 (E7BAND000)

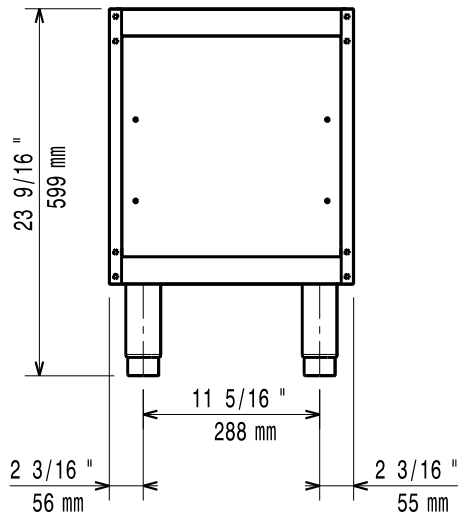
Open base, 1/2 module

APPROVAL: \_\_\_\_\_

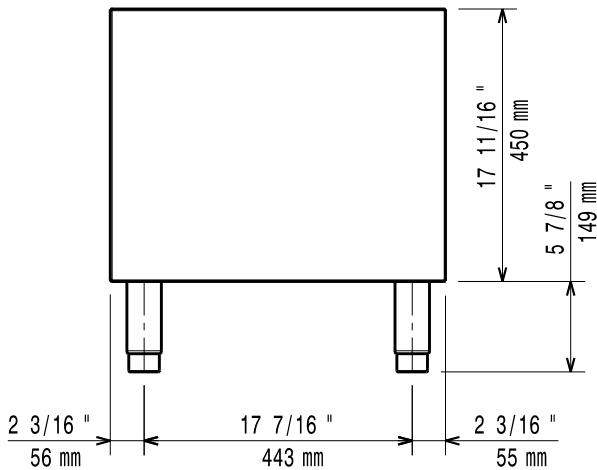
### Optional Accessories

- |  |            |                          |
|--|------------|--------------------------|
| • 4 wheels, 2 swivelling with brake (EVO700/900). It is mandatory to install with base supports for feet/wheels. | PNC 206135 | <input type="checkbox"/> |
| • Flanged feet kit   | PNC 206136 | <input type="checkbox"/> |
| • Frontal kicking strip for concrete installation, 400 mm  | PNC 206147 | <input type="checkbox"/> |
| • Frontal kicking strip for concrete installation, 800 mm  | PNC 206148 | <input type="checkbox"/> |
| • Frontal kicking strip for concrete installation, 1000 mm   | PNC 206150 | <input type="checkbox"/> |
| • Frontal kicking strip for concrete installation, 1200 mm   | PNC 206151 | <input type="checkbox"/> |
| • Frontal kicking strip for concrete installation, 1600 mm   | PNC 206152 | <input type="checkbox"/> |
| • Frontal kicking strip, 400 mm  | PNC 206175 | <input type="checkbox"/> |
| • Frontal kicking strip, 800 mm  | PNC 206176 | <input type="checkbox"/> |
| • Frontal kicking strip, 1000 mm   | PNC 206177 | <input type="checkbox"/> |
| • Frontal kicking strip, 1200 mm   | PNC 206178 | <input type="checkbox"/> |
| • Frontal kicking strip, 1600 mm   | PNC 206179 | <input type="checkbox"/> |
| • Full module overshelf  | PNC 206184 | <input type="checkbox"/> |
| • 4 feet for concrete installation (not for 900 line freestanding grill)   | PNC 206210 | <input type="checkbox"/> |
| • 2 panels for service duct (single installation)  | PNC 206248 | <input type="checkbox"/> |
| • Pair of side kicking strips  | PNC 206249 | <input type="checkbox"/> |
| • 2 supports runners for open base for 4 GN1/1   | PNC 206257 | <input type="checkbox"/> |
| • Electric heating kit for cupboards   | PNC 206259 | <input type="checkbox"/> |
| • Pair of side kicking strips (concrete installation)  | PNC 206265 | <input type="checkbox"/> |
| • 2 drawers for open base, height 100 mm   | PNC 206328 | <input type="checkbox"/> |
| • Door for open base cupboard  | PNC 206342 | <input type="checkbox"/> |
| • 2 drawers for open base, height 100 mm   | PNC 206360 | <input type="checkbox"/> |
| • Base support for feet or wheels - 400mm (EVO700/900)   | PNC 206366 | <input type="checkbox"/> |
| • Base support for feet or wheels - 800mm (EVO700/900)   | PNC 206367 | <input type="checkbox"/> |
| • Base support for feet or wheels - 1200mm (EVO700/EVO900)   | PNC 206368 | <input type="checkbox"/> |
| • Base support for feet or wheels - 1600mm (EVO700/900)  | PNC 206369 | <input type="checkbox"/> |
| • Base support for feet or wheels - 2000mm (EVO700/900)  | PNC 206370 | <input type="checkbox"/> |
| • Rear paneling - 600mm (EVO700/900)   | PNC 206373 | <input type="checkbox"/> |
| • Rear paneling - 800mm (EVO700/900)   | PNC 206374 | <input type="checkbox"/> |
| • Rear paneling - 1000mm (EVO700/900)  | PNC 206375 | <input type="checkbox"/> |
| • Rear paneling - 1200mm (EVO700/900)  | PNC 206376 | <input type="checkbox"/> |
| • Base support for feet/wheels (600mm)   | PNC 206431 | <input type="checkbox"/> |

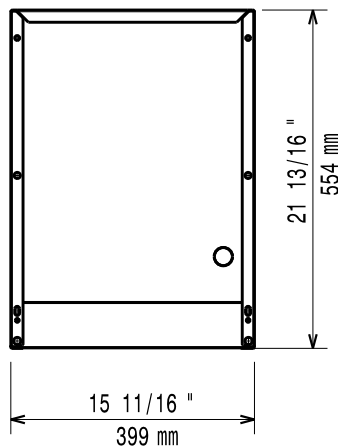
**Front**



**Side**



**Top**



**Key Information:**

External dimensions, Width: 371112 (E7BAND0000)	400 mm
External dimensions, Depth:	550 mm
External dimensions, Height:	600 mm
Net weight:	10 kg